

3M Housings CT Series

For Cartridge Filters

The CT Series Cartridge Filter Housings are three-piece, all-metal housings with ring nut closures. These housings are designed to meet general industrial filtration needs. The CT Models are available with wetted surfaces in 316 stainless (head, sump and internals) and in one-high (CT101), two-high (CT102), or three-high (CT103) designs. Ring nuts for head to sump sealing are nickel plated brass to eliminate potential thread galling. A ring nut tightening tool is included. All CT Model heads have tapped mounting pads; mounting brackets are available as an accessory. The CT Models have liquid flow rates of up to 98,4 l/min, and a maximum operating pressure and temperature of 20 bar g at 90 °C. For air and gas service, CT Models have a maximum operating pressure and temperature of 12 bar g at 90 °C.

Standard Model Specifications

Table 3 lists standard model materials of construction and connection sizes. Table 4 lists dimensions and shipping weight. All dimensions are nominal and can be used for determining overall space requirements. To find a dimension, locate the model you want in the left column of Table 4 and the selected dimension symbol (A through C) in the top row. Where the column and row meet is the model's dimension.

Operating Parameters

Table 1 lists standard model operating parameters for the CT models. In Table 1, the maximum operating pressure is the rating for the housing only. Actual filter operating temperature is dependent on the temperature capability of the filter cartridge.

Flow Rates

Table 2 lists the maximum recommended flow rates in liter per minute (l/min) for the CT101 and 102 Models. Use the data in Table 2 only as a guide in establishing housing flow capability; do not use it for filter sizing. Once you know the flow rate for a selected cartridge, then use Table 2 to check whether the housing's flow rates fall within the recommended guidelines. When selecting a filter's size, make sure you consider the amount of contaminant you want removed as well as the flow requirements; this ensures the longest possible cartridge life.

Cartridge Requirements

The CT Series Cartridge Filter Housings can use one, two, or three 9 3/4" equivalent single-length filter cartridges. The CT102 and 103 Models can also use one 19 1/2" filter cartridge and one 29 1/4" filter cartridge, respectively.

Pressure Equipment Directive 97/23/CE

CT vessels are in compliance with Non Coded Article 3.3. "Sound Engineering Practice". In addition, CT housings are only to be used for the filtration of Group 2 Liquids (and Group 1 Liquids at reduced operating pressures). Do not use CT housings with Group 1 (Hazardous) gas or vapour applications.

ATEX Directive 94/9/CE

These CT housings are approved for use in ATEX condition II/2/G/T5.

The operator of these housings must ensure that they are used in accordance with the requirements of these PED and ATEX directives at all times. Please consult your local 3M Purification representative for any other classifications or further information.



Features and Benefits

Rugged, three-piece, all metal construction

- provides long service life and quick & easy cartridge change-out.

Design flexibility

- Allows 1, 2 or 3-high cartridge models for use with 9 3/4", 19 1/2", or 29 1/4" filter cartridges.

Drilled and tapped mounting holes

- Ready for mounting bracket installation.

Applicable Filter Cartridges

Activated Carbon

Betafine™ DP & XL Series

Betafine™ PEG, PTG, PBG, PBP & PPG Series

Betapure™ AU Series

Betapure™ P Series

Betapure™ BK Series

Betapure™ NT Series

Micro-Klean™ G Series

Micro-Klean™ RT Series

Micro-Klean™ D Series

LifeASSURE™ 045SA, 020SP, 045 SP & 020ST Series

LifeASSURE™ PFS & MFE Series



3M Housings CT Series

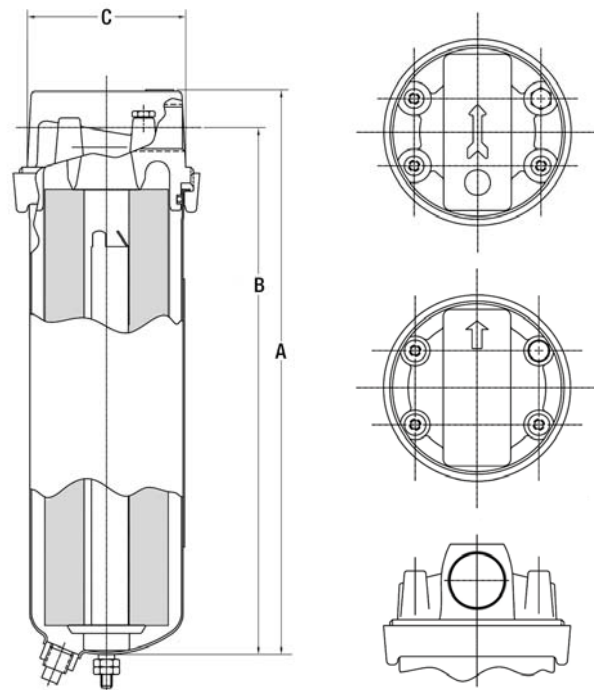
For Cartridge Filters

Maximum Operating Pressure	Maximum Operating Temperature	Flow Rate (l/min)
20 bar g (Liquids)	90 °C	See Table 2
12 bar g (Air/Gas)		

Inlet/ Outlet	Water	80 SSU	150 SSU	300 SSU	600 SSU	1000 SSU
¾" BSPT Female	60.6	53.0	49.2	45.4	37.9	30.3
1" BSP Female	98.4	83.3	75.7	68.1	60.6	49.2

	CT101	CT102	CT103	CT101	CT102	CT103
Part Number	70020254853	70020254861	70020254879	70020254887	700202895	70020254903
Connection Sizes	¾" BSPT Female			1" BSP Female		
Materials of Construction						
Head	316 Stainless Steel - FO = Acid pickle passivated surface finish					
Head Gasket	NB = Nitrile (Contact your local 3M Purification representative for other gasket materials)					
Ring Nut	Nickel Plated Brass					
Sump	316 Stainless Steel					
Centrepost with Seal Plate	316 Stainless Steel					
Drain Plug - ¼" NPT	316 Stainless Steel					
Optional Mounting Bracket	Zinc Plated Steel (order separately)					

Housing Model	Catalogue Number	A	B	C	Shipping Weight	Volume in liter
		in mm				
CT101	70020254853	313	295	90	2.7 kg	1.83
	70020254887	321	299	90		
CT102	70020254861	560	543	90	3.4 kg	3.30
	70020254895	568	547	90		
CT103	70020254879	808	791	90	4.0 kg	4.77
	70020254903	816	794	90		



Ordering Guide CT Range

Housing Model	Catalogue Number	Inlet/ Outlet	Housing Material	Mounting Bracket Kit	Ring Nut Tool
CT101 CT102 CT103	70020254853 70020254861 70020254879	¾" BSPT Female	316 Stainless Steel Head and 316 Stainless Steel (wetted parts)	Order Separately	included
CT101 CT102 CT103	70020254887 70020254895 70020254903	1" BSP Female	Sump with Vent/Drain		

Important Notice
3M Purification MAKES NO WARRANTIES, EXPRESS OR IMPLIED, INCLUDING, BUT NOT LIMITED TO, ANY IMPLIED WARRANTY OF MERCHANTABILITY OR FITNESS FOR A PARTICULAR PURPOSE. Since a variety of factors can affect the use and performance of a 3M Purification product in a particular application, some of which are uniquely within the user's knowledge and control, user is responsible for determining whether or not the 3M Purification product is fit for a particular purpose and suitable for user's method of application.

Limitation of Remedies and Liability
If the 3M Purification product is proved to be defective, THE EXCLUSIVE REMEDY, AT 3M PURIFICATION'S OPTION, SHALL BE TO REFUND THE PURCHASE PRICE OR TO REPAIR OR REPLACE THE DEFECTIVE PRODUCT. 3M shall not otherwise be liable for loss or damages, whether direct, indirect, special, incidental or consequential, regardless of the legal theory asserted, including, but not limited to, contract, negligence, warranty or strict liability.

WARRANTY
Seller warrants its equipment against defects in workmanship and material for a period of 12 months from date of shipment from the factory under normal use and service and otherwise when such equipment is used in accordance with instructions furnished by Seller and for purposes disclosed in writing at the time of purchase, if any. Any unauthorized alteration or modification of the equipment by Buyer will void this warranty. Seller's liability under this warranty shall be limited to the replacement or repair, F.O.B. point of manufacture, of any defective equipment or part which, having been returned to the factory, transportation charges prepaid, has been inspected and determined by the Seller to be defective. THIS WARRANTY IS IN LIEU OF ANY OTHER WARRANTY, EITHER EXPRESSED OR IMPLIED, AS TO DESCRIPTION, QUALITY, MERCHANTABILITY, FITNESS FOR ANY PARTICULAR PURPOSE OR USE, OR ANY OTHER MATTER. Under no circumstances shall Seller be liable to Buyer or any third party for any loss of profits or other direct or indirect costs, expenses, losses or consequential damages arising out of or as a result of any defects in or failure of its products or any part or parts thereof or arising out of or as a result of parts or components incorporated in Seller's equipment but not supplied by the Seller.



3M United Kingdom plc 3M Purification

3M Centre, Cain Road
Bracknell, RG12 8HT
United Kingdom
Tel.: 0845 602 5237
Fax: +44 (0)1344 858559
E-mail: innovation.uk@mmm.com

For more contact addresses visit our website www.3M.eu/filtration or www.3Mpurification.com/international.

Data may be subject to change without further notice.

© 3M 2010. All rights reserved.

v.2 - DOC10007
LITHSCT1.EU - 0810